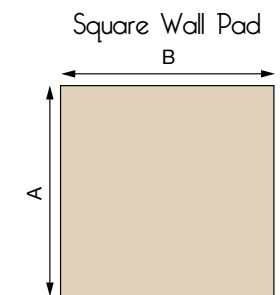
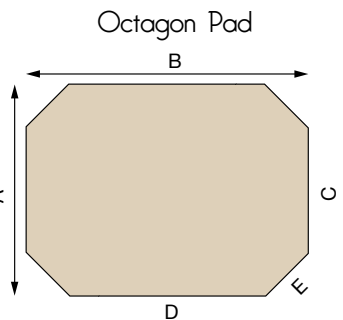
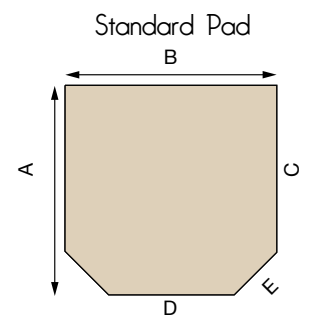
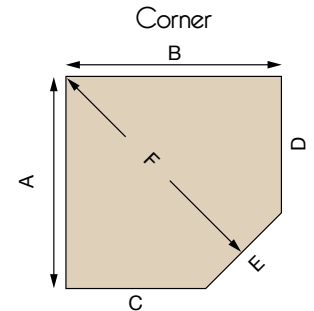
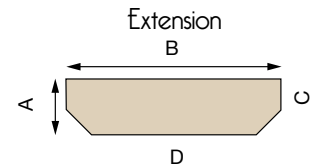


# Shapes & Sizes

Our pads are offered in most popular sizes and shapes. Please consult your stove's owner's manual to determine the clearance requirements of your stove. Your hearth pad dealer can then help you choose the most appropriate pad size and shape for your home. Custom sizes welcomed.

## Measurements

Shapes (inches)	A	B	C	D	E	F
<b>Hearth Extension</b>						
12 Extension	12	48	7 ¾	39 ½	6	NA
18 Extension	18	48	13 ¾	39 ¾	6	NA
<b>Corner (SL)</b>						
32 SL	32	32	26 ½	26 ½	8	42
36 SL	36	36	30 ½	30 ½	12	43
40 SL	40	40	31 ½	31 ½	12	50
44 SL	44	44	35 ½	35 ½	12	56
48 SL	48	48	37 ½	37 ½	15	60
54 SL	54	54	43 ½	43 ½	15	69
60 SL	60	60	49 ½	49 ½	15	77
<b>Standard (DL)</b>						
32 DL	32	32	26 ½	20 ½	8	NA
36 DL	36	36	30 ½	24 ½	8	NA
40 DL	40	40	31 ½	23	12	NA
44 DL	44	44	35 ½	27	12	NA
48 DL	48	48	37 ½	27	15	NA
48D x 54W DL	48	54	37 ½	39	15	NA
54D x 48W DL	54	48	43 ½	27	15	NA
54 DL	54	54	43 ½	27	15	NA
60 DL	60	60	49 ½	39	15	NA
<b>Octagon (OCT)</b>						
24x32 OCT	24	32	16	23 ½	6	NA
24x36 OCT	24	36	16	27 ½	6	NA
<b>Wall (SQ)</b>						
36x48 SQ	48	36	NA	NA	NA	NA
40x48 SQ	48	40	NA	NA	NA	NA
48x48 SQ	48	48	NA	NA	NA	NA
54x48 SQ	48	54	NA	NA	NA	NA



**American Panel** HEARTH PRODUCTS

www.americanpanelhearth.com



Color shade variations are inherent in all products. Please note, colors shown in this brochure may vary slightly from the actual products. Prices are subject to change without notice.

Authorized Dealer

2016



Tested, Approved & Listed to UL-737, UL-1482, UL-127, UL-1618 & NFPA 211 safety standards for wall & floor protectors & hearth extensions.